

## **Product End of Life Information**

**Product:** Interwrite Cricket

### **Purpose:**

This document is provided to inform and guide the recycling process of our products as required by the EU WEEE Directive 2002/96/EC. This document identifies components and materials under the WEEE directive and it contains the proper method for disassembling this product.

### **Product Disassembly Instructions:**

Disassembly instructions provide the steps necessary to be able to separate each part and component. Disassembly instructions also describe the tools necessary to take the product apart.

### **Product Material Information:**

The following parts, components, and substances should be disposed of or recovered separately from other WEEE in compliance with the EU Directive 2002/96/EC.

**Batteries-** Cricket contains two AAA alkaline batteries

This product does not use internal batteries based on mercury, cadmium, lead or their compounds.

**Mercury-** Parts used in Interwrite Learning products do not contain intentionally added mercury.

**Liquid Crystal Displays (LCD > 100 cm<sup>2</sup>)-** Product does not contain an LCD.

**Cathode Ray Tubes (CRT) -** Product does not contain a CRT.

### **Plastics-**

This Product may contain plastic parts greater than 25 grams. Many of the parts are bromine free however they are labeled (molded directly into the plastic) per ISO 11469:2000 (E).

Typical marking format is: >Polymer Abbreviation – FR (#) <

For example: > PC + ABS FR(40) <

**Capacitors with PCBs-** Interwrite Learning does not use capacitors containing PCBs.

**Electrolyte Capacitors (height or diameter > 25mm)-** Electrolyte Capacitors (height or diameter >25mm) are not present in this product.

**Asbestos and its compounds-** Parts used in Interwrite Learning products do not contain asbestos and its compounds.

**Radioactive Substances-** Parts used in Interwrite Learning products do not contain radioactive substances.

**Beryllium and its components-** Beryllium may be present in electronic components as a copper beryllium alloy, which contains less than 2% beryllium. CuBe alloys may be used in various components such as connectors, switches, relays, current carrying springs, integrated circuit sockets, and RF shielding.

**Gases-** Parts used in Interwrite Learning products do not contain hydrocarbons or any gas that falls under Regulation (EC/2037/2000).

**Components with Pressurized Gas-** Product does not contain parts with pressurized gas.

**Liquids-** Product does not contain liquid.

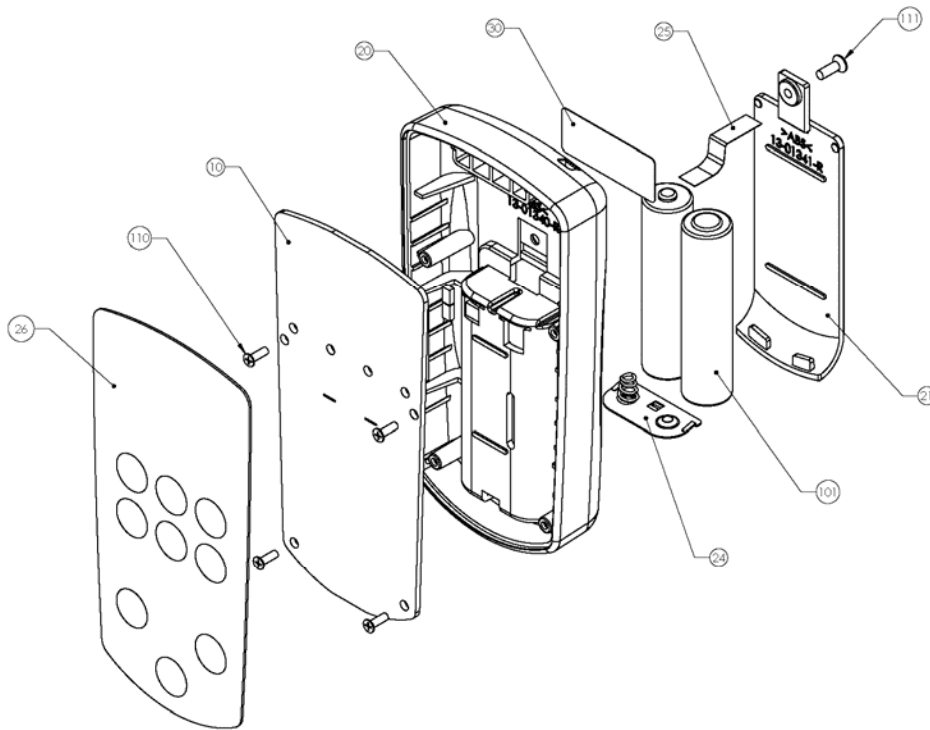
# Disassembly Instructions:

Interwrite Cricket

## Tools Needed:

-Phillips Screwdriver

-Pliers



## Instructions:

1. Remove the screw from the back and remove the battery cover (21).
2. Take out the two batteries.
3. Remove the overlay (26) from the front of the cricket by peeling up a corner and pulling it off.
4. Unscrew and remove the PCB (10) from the shell (20).
5. Remove the battery contact (24) from inside the battery well.  
Note: The battery contact has a clip sticking out of the middle, which must be pushed flush in order to be removed.